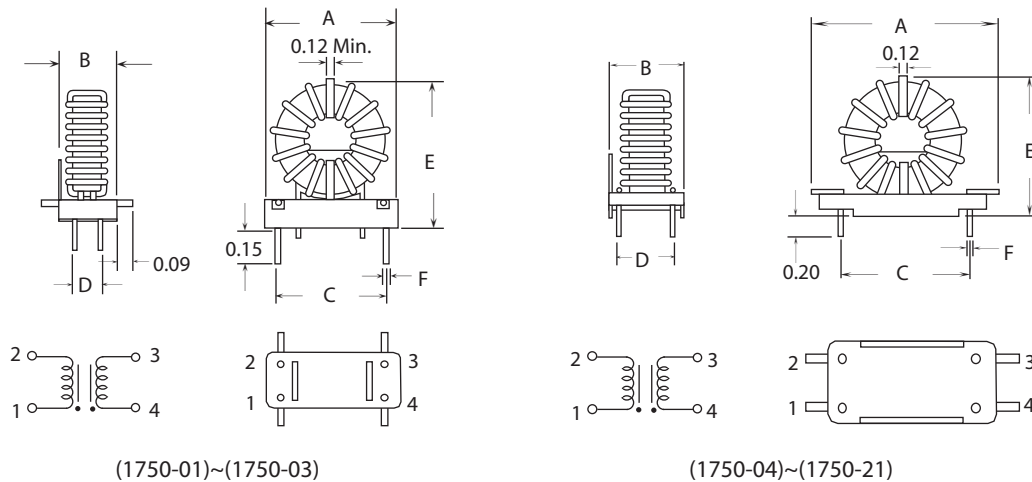


**VV-1750 SERIES** Common Mode Inductors (with header)

**RoHS**  
COMPLIANT

**Mechanical Specification**



Dimensions: Inches

**Special Features**

- Single layer wound
- Excellent EMI suppression capability over wide frequency spectrum
- High current capacity
- Dielectric strength: 1500Vrms
- Coil mount on VW-1 rated plastic header
- Fixed pins spacing allow easy PCB insertion
- Operating temperature: -55°C to +105°C

**Notes**

- \* Rated current to cause approx. 35°C temperature rise

**Electrical Specification**

**VV-1750 SERIES**

Part Number	L(mH) Min. @1KHz	I(A)* Max.	DCR Ω Max.	Dim. A Max.	Dim. B ±0.01	Dim. C ±0.015	Dim. D ±0.015	Dim. E Max.	Dim. F Max.
VV-1750-01	4	1.7	0.173	0.76	0.425	0.600	0.250	0.90	0.040
VV-1750-02	2.5	2.4	0.09	0.76	0.425	0.600	0.250	0.90	0.040
VV-1750-03	1	4.8	0.022	0.76	0.425	0.600	0.250	0.90	0.040
VV-1750-04	10	2.4	0.17	1.20	0.60	0.800	0.400	1.20	0.050
VV-1750-05	7	2.8	0.12	1.20	0.60	0.800	0.400	1.20	0.050
VV-1750-06	5	3.7	0.07	1.20	0.60	0.800	0.400	1.20	0.050
VV-1750-07	2	6.6	0.022	1.20	0.60	0.800	0.400	1.20	0.050
VV-1750-08	1	10	0.01	1.20	0.60	0.800	0.400	1.20	0.050
VV-1750-09	30	2.3	0.33	1.35	0.80	0.900	0.600	1.45	0.050

## VV-1750 SERIES Common Mode Inductors (with header)



continued from previous page

### VV-1750 SERIES

Part Number	L(mH) Min. @1KHz	I(A)* Max.	DCR Ω Max.	Dim. A Max.	Dim. B ±0.01	Dim. C ±0.015	Dim. D ±0.015	Dim. E Max.	Dim. F Max.
VV-1750-10	20	2.9	0.21	1.35	0.80	0.900	0.600	1.45	0.050
VV-1750-11	12	4	0.11	1.35	0.80	0.900	0.600	1.45	0.050
VV-1750-12	8	5.6	0.055	1.35	0.80	0.900	0.600	1.45	0.050
VV-1750-13	5	8.9	0.022	1.45	0.80	0.900	0.600	1.50	0.043
VV-1750-14	2.5	12.5	0.011	1.45	0.80	0.900	0.600	1.50	0.053
VV-1750-15	1.2	16	0.006	1.50	0.80	0.900	0.600	1.53	0.060
VV-1750-16	50	2.3	0.45	1.55	0.80	0.900	0.600	1.65	0.050
VV-1750-17	36	2.9	0.3	1.55	0.80	0.900	0.600	1.65	0.050
VV-1750-18	7.3	9.3	0.032	1.65	0.80	0.900	0.600	1.65	0.043
VV-1750-19	4	14.5	0.012	1.70	0.90	1.200	0.700	1.65	0.060
VV-1750-20	2.4	17	0.008	1.70	0.90	1.200	0.700	1.65	0.067
VV-1750-21	1	20	0.007	1.70	0.90	1.200	0.700	1.65	0.067